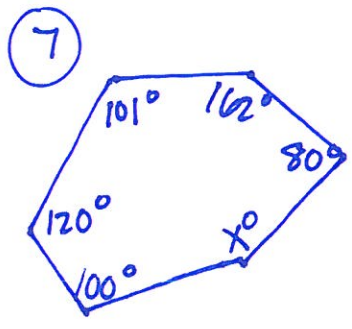
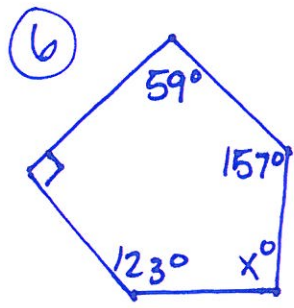
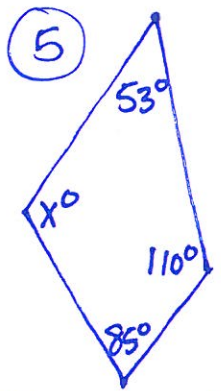
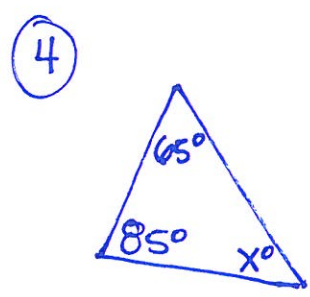
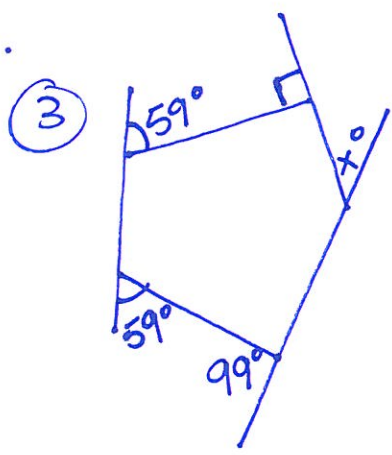
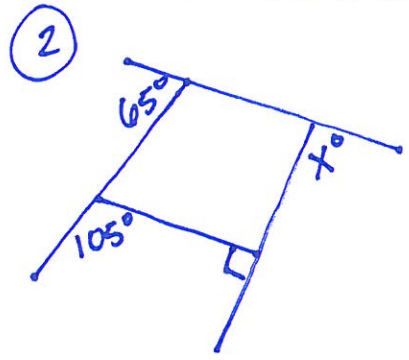
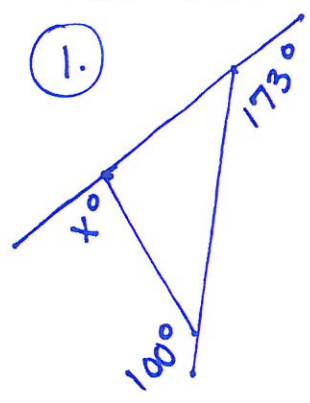


(Area & Polygons Re-Test Practice Part I)

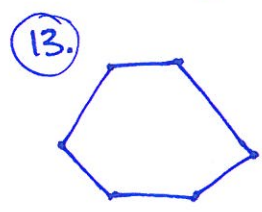
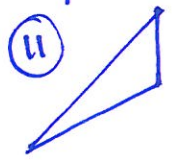
- Topics: **(A) Interior & Exterior Angles of Polygons**
(B) Naming Polygons

Find the measure of variable.

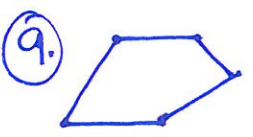


Name each polygon by the number of sides.

8. 18 sides

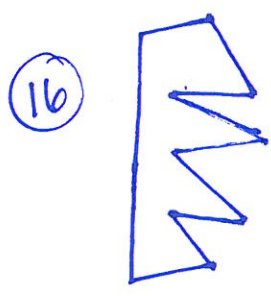


15. 9-sides



12. 7 sides

14. 4-sides



10. 8 sides