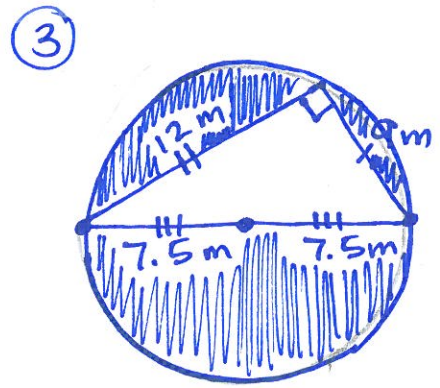
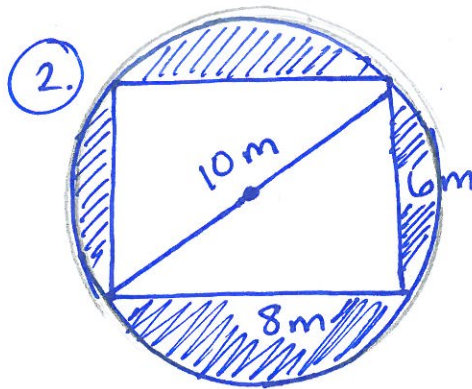
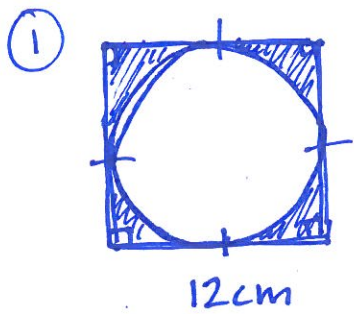


# (Area & Polygons re-test practice Part III)

Topics: **A** Subtracting areas to find the area of a shaded region.

**B** Adding areas to find the area of an irregular shape.

Find the area of the shaded region.



Find the area of the irregular figure.

