

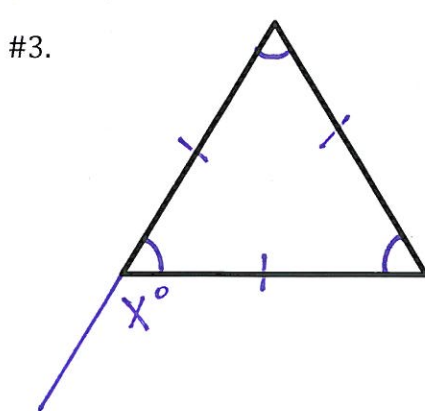
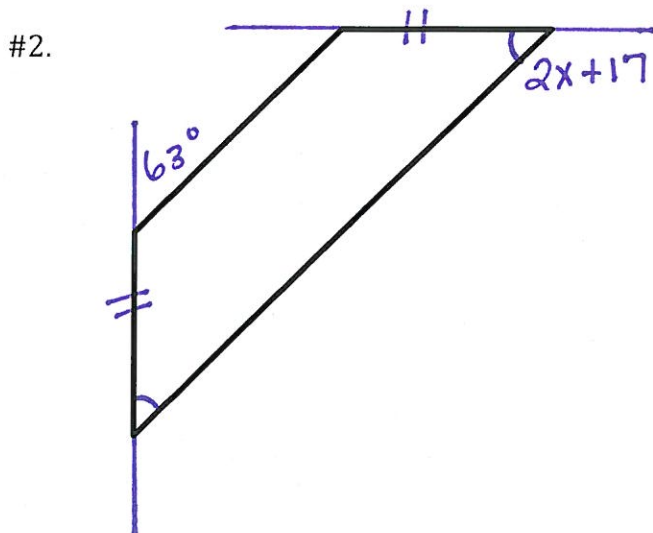
POLYGON TEST REVIEW

NAME: _____

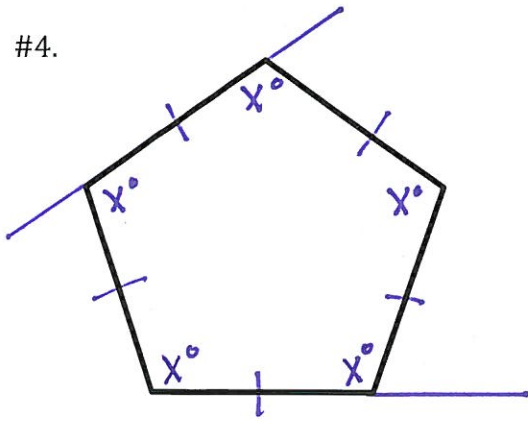
#1. Fill in the chart. *Round to the nearest tenth when necessary.*

# of Sides/ Angles	Name of Polygon	Sum of the Interior Angles	Measure of each interior angle if the polygon is regular	Sum of the Exterior Angles	Measure of each exterior angle if the polygon is regular
3					
4					
5					
6					
7					
8					
9					
10					
12					

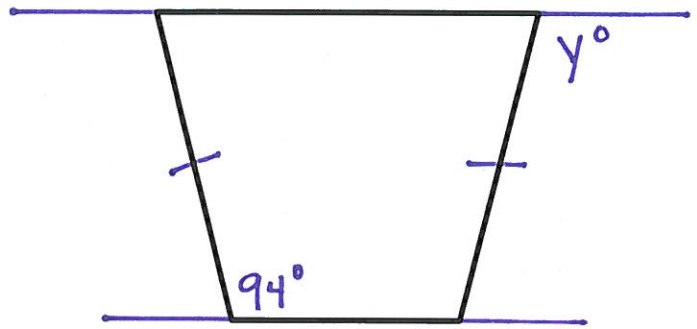
Find the value of x for each of the polygons. *Round to nearest tenth when necessary.*



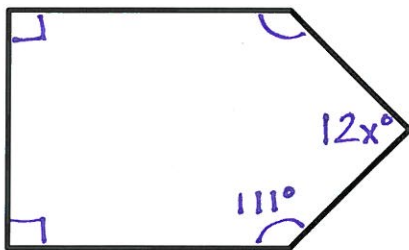
#4.



#5.



#6.



#7.

