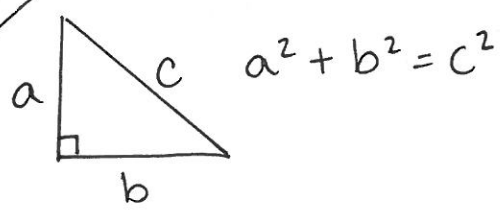


FIND AREA AND PERIMETER OF A TRIANGLE OR TRAPEZOID USING PYTHAGOREAN THEOREM.



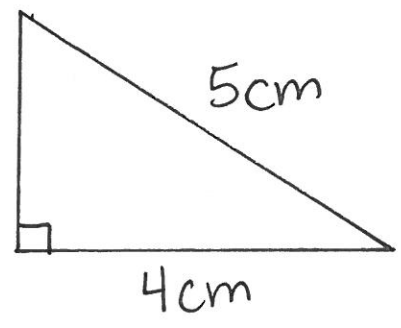
TRIANGLE AREA: $\frac{1}{2}bh$

TRAPEZOID AREA: $\frac{1}{2}h(b_1 + b_2)$

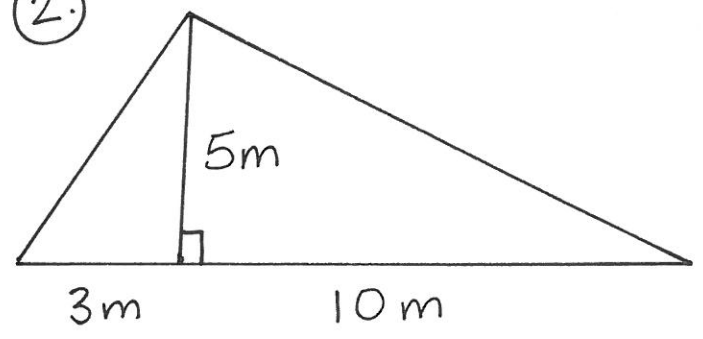
PERIMETER: Distance around figure

(ROUND TO THE NEAREST TENTH WHEN NECESSARY.)

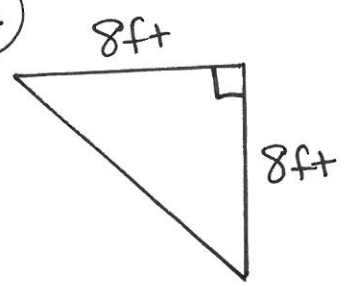
1.



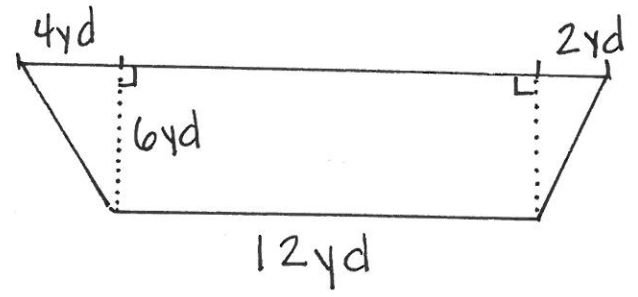
2.



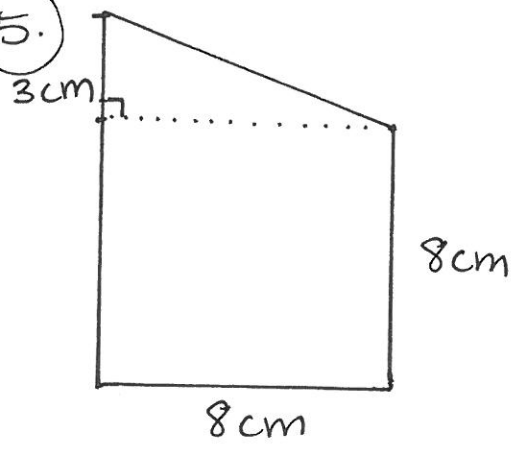
3.



4.



5.



6.

